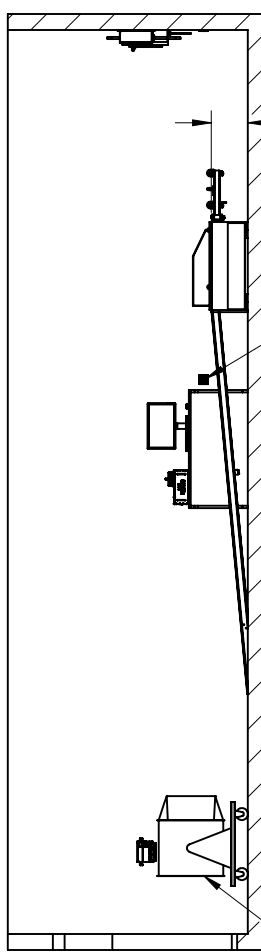
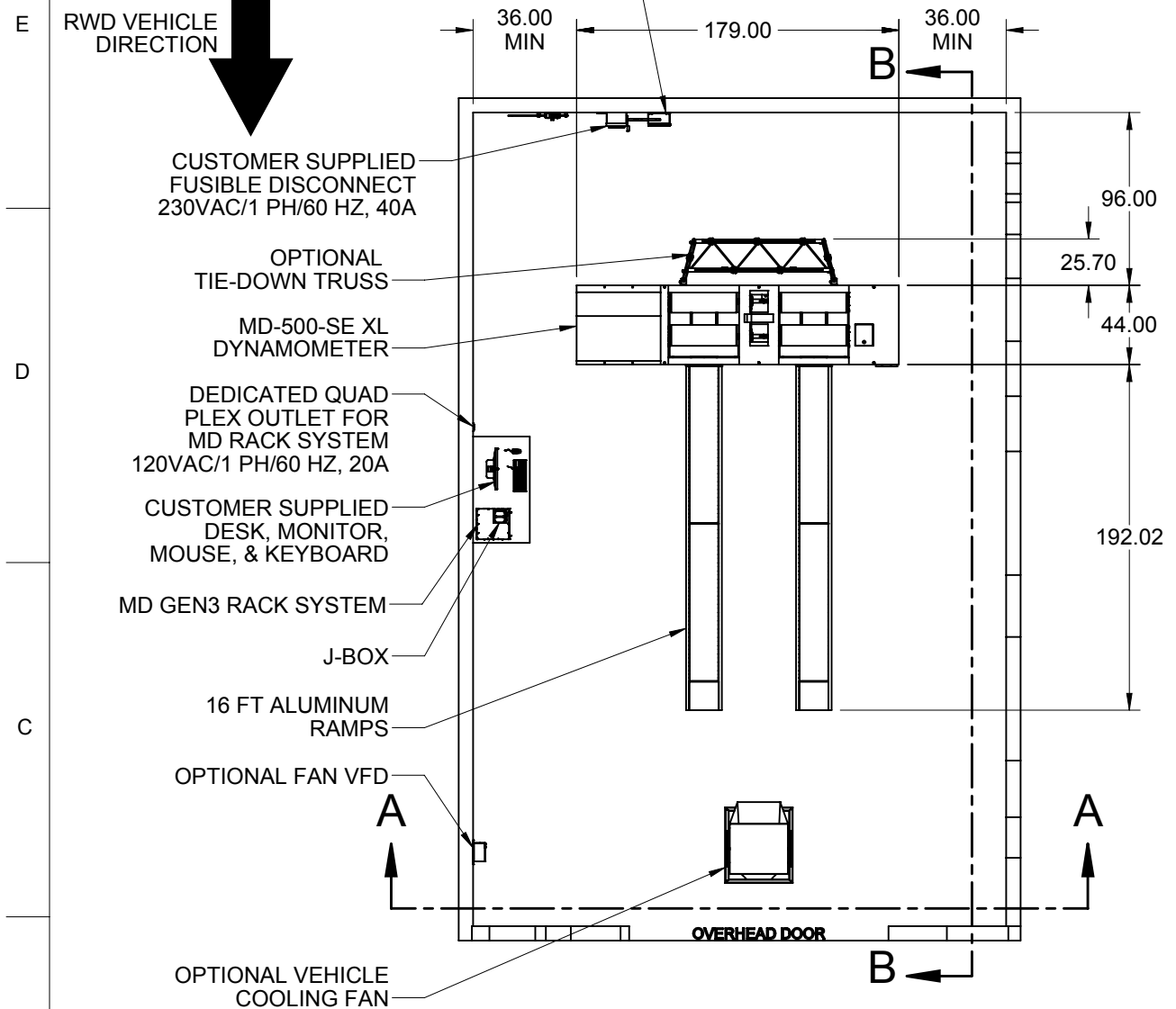


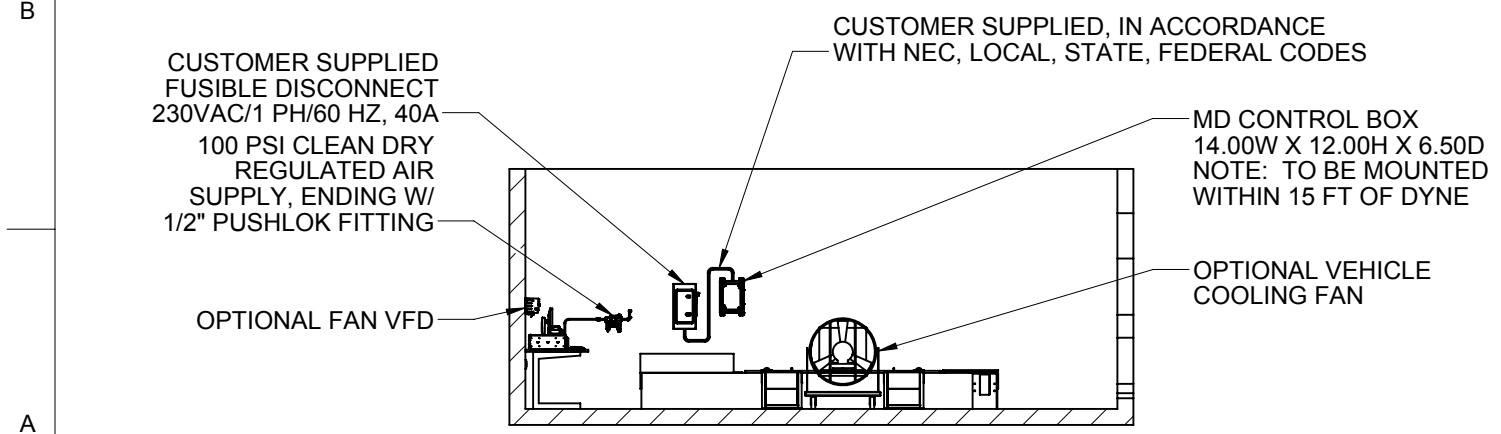
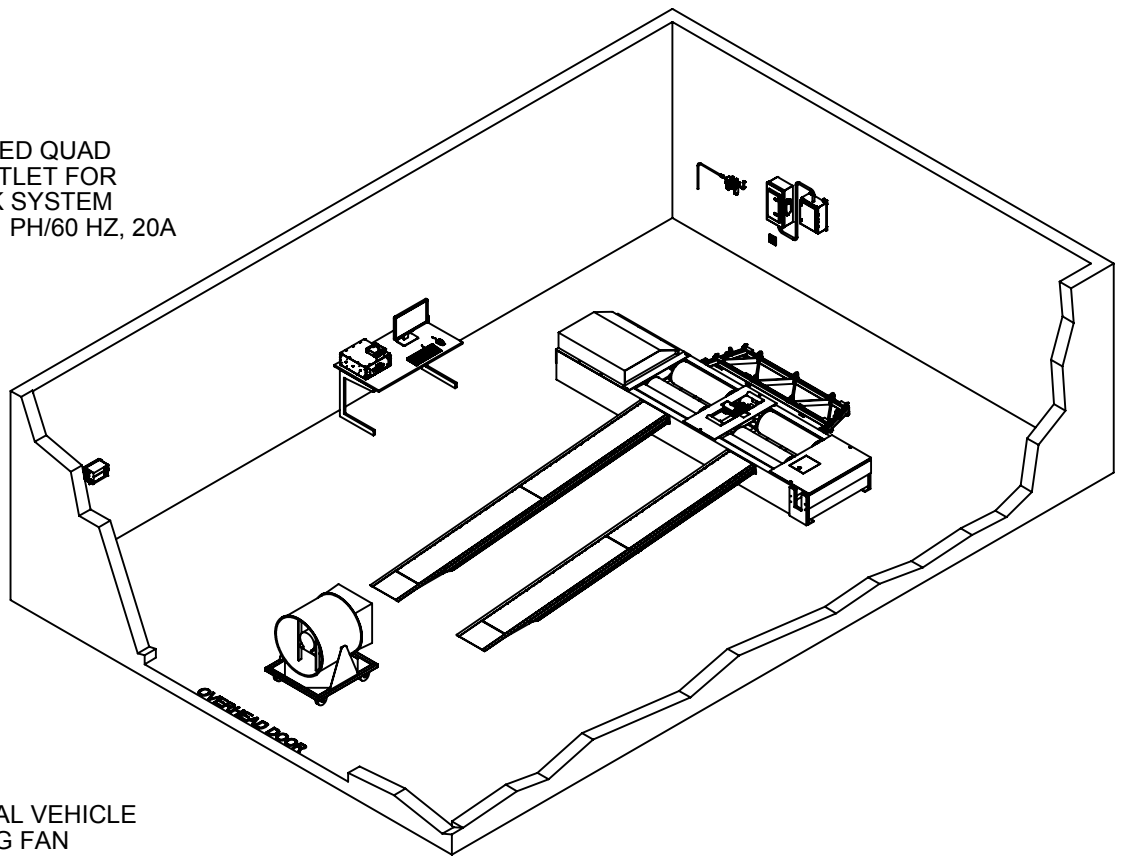
MD CONTROL BOX
14.00W X 12.00H X 6.50D
NOTE: TO BE MOUNTED
WITHIN 15 FT OF DYNE

- NOTES:**
1. DIMENSIONS ARE FOR REFERENCE ONLY
 2. ANCHOR POD LOCATIONS ARE SUGGESTIONS ONLY; FINAL LOCATIONS TO BE DETERMINED BY CUSTOMER, DEPENDENT ON TEST VEHICLE & SPACE LIMITATIONS; ANCHOR PODS ARE CUSTOMER INSTALLED
 3. TYPICAL SHOP INSTALLATION SHOWN; MINIMUM WALKING SPACE OF 36" ON DYNE SIDES IS REQUIRED, OR IN ACCORDANCE TO LOCAL, STATE, & FEDERAL CODES, WHICHEVER IS GREATER



DEDICATED QUAD PLEX OUTLET FOR MD RACK SYSTEM
120VAC/1 PH/60 HZ, 20A

OPTIONAL VEHICLE COOLING FAN



APPROVAL

SIGNATURE: _____

PRINTED NAME: _____

DATE: _____

SECTION A-A

A	-	PROPOSAL	JB	23JUL21
REV	ECN	REVISION	BY	DATE

THIS DOCUMENT IS THE PROPERTY OF MUSTANG DYNAMOMETER AND IS DELIVERED ON THE EXPRESS CONDITION THAT IT IS NOT TO BE DISCLOSED, REPRODUCED IN WHOLE OR IN PART, OR USED FOR MANUFACTURE FOR ANYONE OTHER THAN MUSTANG DYNAMOMETER WITHOUT ITS WRITTEN CONSENT, AND THAT NO RIGHT IS GRANTED TO DISCLOSE OR SO USE ANY INFORMATION CONTAINED IN SAID DOCUMENT. THIS RESTRICTION DOES NOT LIMIT THE RIGHT TO USE INFORMATION OBTAINED FROM ANOTHER SOURCE.

REF: 20056062

	TITLE: CONCEPTUAL LAYOUT, MD-500 AG LEGACY W/ 16FT RAMPS & TRUSS IN GARAGE			
	DO NOT SCALE DRAWING	DRAWN: JB DATE: 23JUL21	APP: JB DATE: 23JUL21	SCALE: 1:96 UNITS: IN[MM]
TOL: INCH [MM] MACH. PARTS: .XX ± .01 [.25] .XXX ± .005 [.127] FAB. PARTS: .XX ± .06 [1.52] .XXX ± .005 [.127] ANGULAR ± 1°	SIZE: B	DWG NO.: 20065431	SHEET 1 OF 1 REV: A	

FILE LOCATION: M:\2006(5000-9999)\20065431